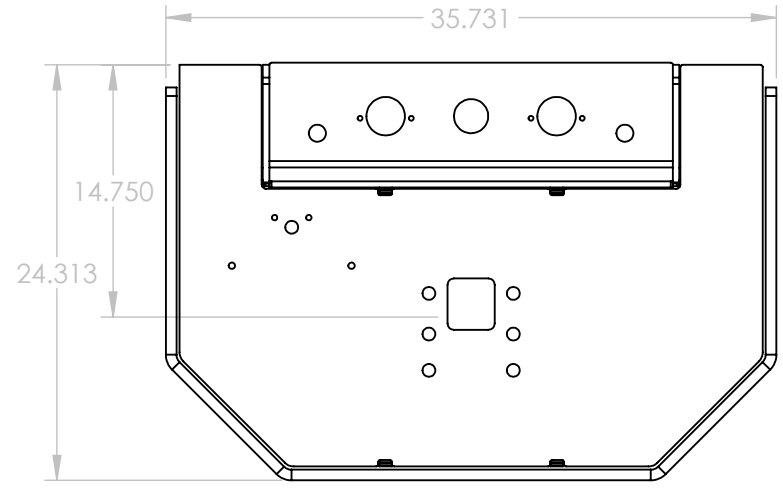
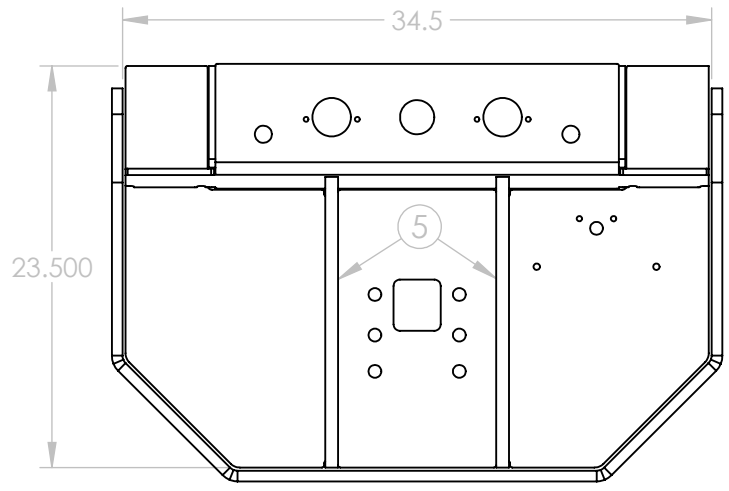
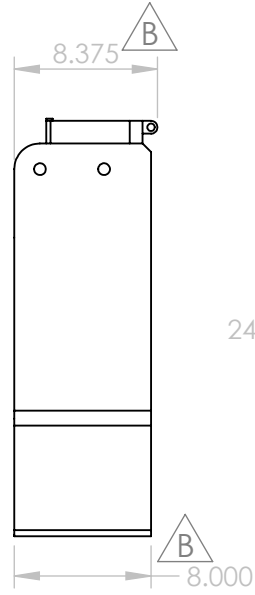
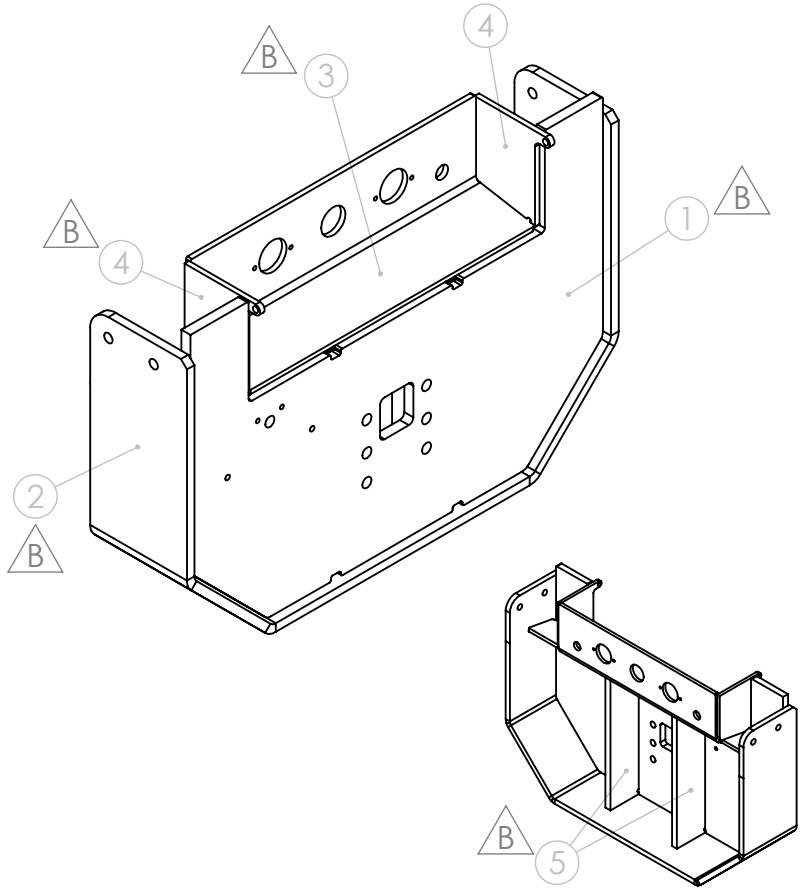


Item	Part Number	Part Description	Qty
1	MECH0260	PLATE-PINTLE, 50 TON, OUTSIDE CRADLE, WITH CONNECTION POCKET, STD (23.5" TALL, 44-24 PINTLE EYE HEIGHT)	1
2	MECH0261	BRKT-PINTLE PLATE STIFFENER, 50 TON PINTLE, OUTSIDE CRADLE WITH CONNECTION POCKET, STD	1
3	MECH0262	PANEL-PINTLE PLATE CONNECTION POCKET, 50 TON PINTLE	1
4	MECH0263	PLATE-PINTLE PLATE CONNECTION POCKET END CAP, 50 TON PINTLE	2
5	MECH0264	GUSSET-PINTLE PLATE, 50 TON PINTLE, CONNECTION POCKET, OUTSIDE CRADLE	2

Revisions			
Rev.	Revision Description	Rev. By	Rev. Date (YYYY-MM-DD)
A	RELEASED TO PRODUCTION	KRIS B	2017-09-07
B	CHANGED POCKET, ELIMINATED CRADLE TAPER	KRIS B	2017-11-22



Weight (lbs)	Material Type	Part Description	Part Number	Rev.



ANY UNAUTHORIZED USE OF THIS DRAWING IS PROHIBITED.
 DIMENSIONS ARE IN INCHES. DO NOT SCALE DRAWING.
 UNLESS SPECIFIED, LENGTH: ±1/16", ANGLE: ±3°